



## SunRay Brushless Surface Motor, 3.5HP, 3000RPM, 56J Frame, 240VDC

### Product Details

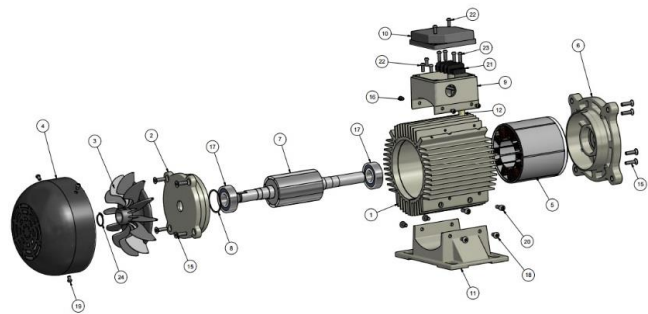
SunRay sensorless brushless DC surface motors incorporate the latest in high efficiency, permanent magnet, sensorless brushless DC technology. The motor windings are epoxy sealed and has a 316 stainless steel motor shaft. The motor housing are extruded aluminum and then anodized to be corrosion resistant. They have a standard 56J frame with a 5/8" shaft, 1/2"-20 UNF thread and sealed bearings. There are many models to choose from starting a 1/2 HP 24 VDC up to a 3 HP 240 VDC.



The motors require a SunRay Sensorless Brushless DC Controller. These controllers incorporate the latest state of the art technology. They are micro-processor based and have MPPT, Maximum Power Point Tracking to keep the solar array operating at peak efficiency point at all times. The control box is powder coated, die-cast aluminum with an extra-large heat sink and rated for outdoor use.

### Specifications

- Motor Horse Power: 3.5
- DC Voltage Range: 120-240
- Full Load RPM: 3350
- Motor Efficiency: 90
- Max Load Current: 12.5 Amps
- Weight (Pump Only): 20.4 Lbs. (9.25 kg.)



*For more products and services check our web site on-line at:*  
**www.SunRayUS.com**

**Independent Water Pumping Systems**



**Intertek**  
**4009458**

Conforms to UL Stds 1081 & 1563

*For free system sizing, technical support, or to place an order call:*

**Phone: (855)372-8467**

**Made In America**